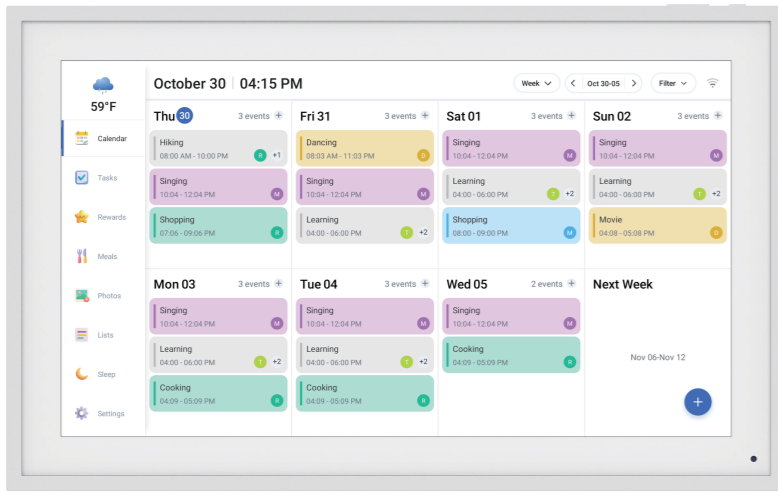


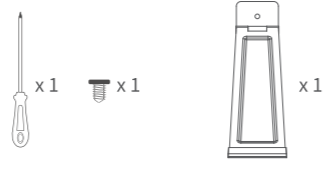
尺寸: 200*140mm 材质: 106g哑面铜版纸
 装订方式: 风琴折 印刷: 4C印刷



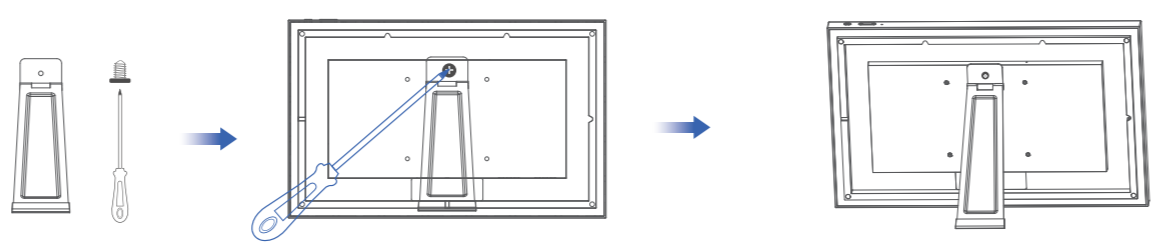
Quick Start Guide
Digital Calendar, Families Sync!

Bracket Installation Guide

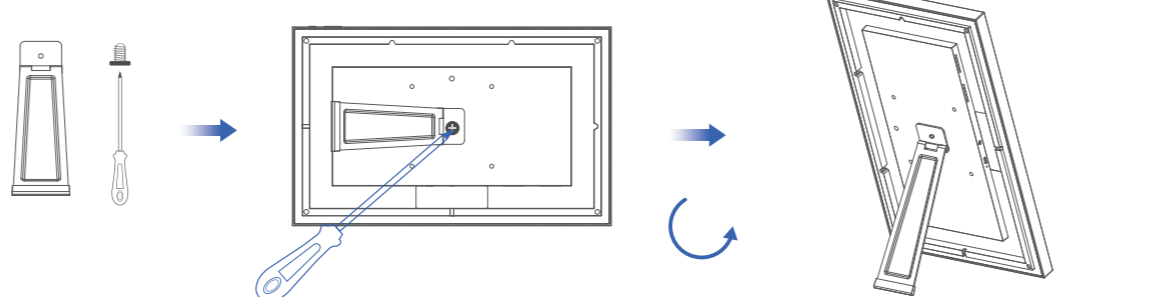
Accessories



1. Lay on the table--Horizontal




2. Lay on the table--Vertical

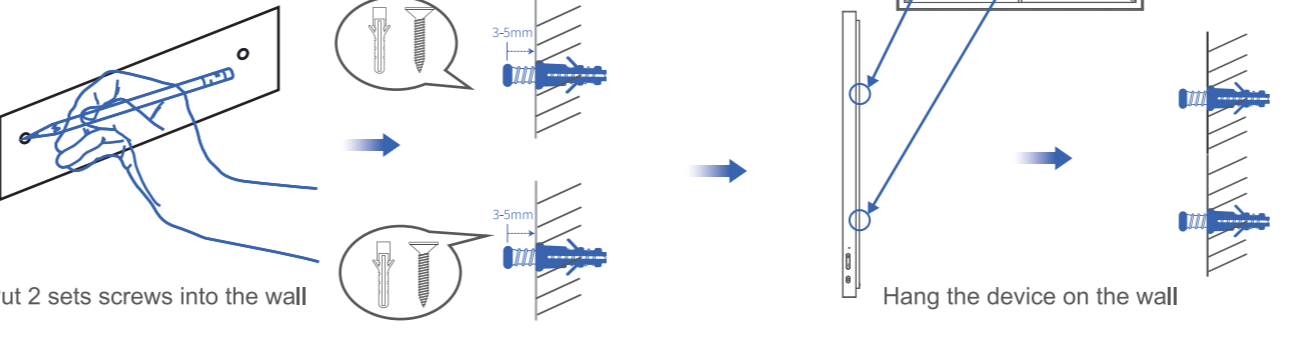


Wall-Hanging Method

Accessories



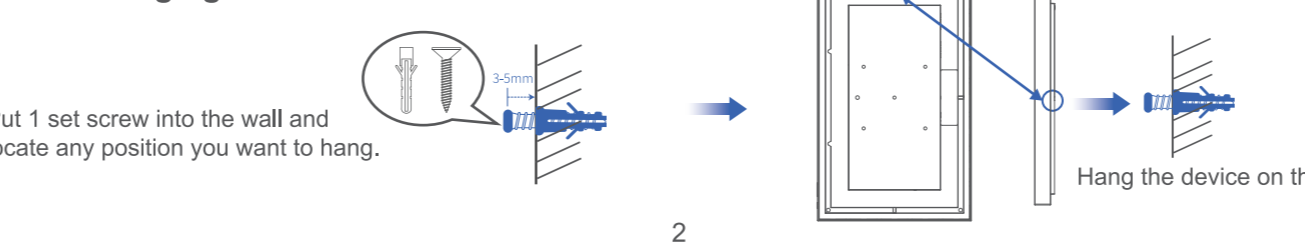
1. Wall-hanging--Horizontal



Put 2 sets screws into the wall

Hang the device on the wall

2. Wall-hanging--Vertical



Put 1 set screw into the wall and locate any position you want to hang.

Hang the device on the wall

Operating Instructions

Welcome to Your Digital Calendar Frame-The Smart Family Schedule Assistant!

Step 1:Power Up & Unbox
Connect the frame to an AC outlet after unboxing - it will automatically power on.

Step 2:Initial Setup

- 1.Choose your preferred language.
- 2.Select your network and enter the password if required.
- 3.Set your time zone and search for your city.



Step 3: App Setup

- 1.Download the "eCalendar"app by scanning the QR code.
- 2.Create an account and fill in required information.

Step 4:Start Using

- 1.Enter your unique activation code from your eCalendar app to complete pairing.

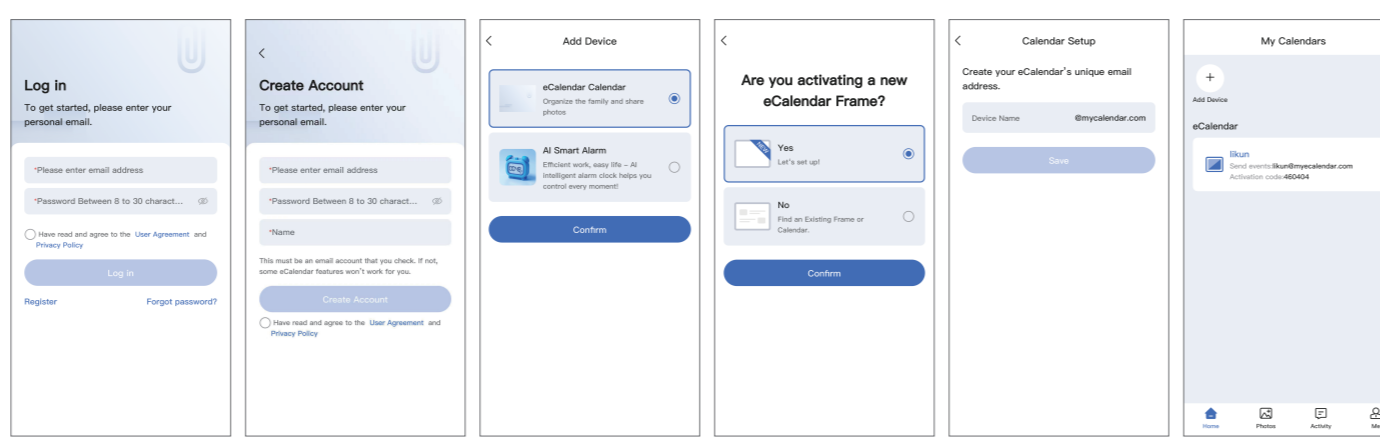
Note: Keep your phone and frame connected to Wi-Fi during setup.

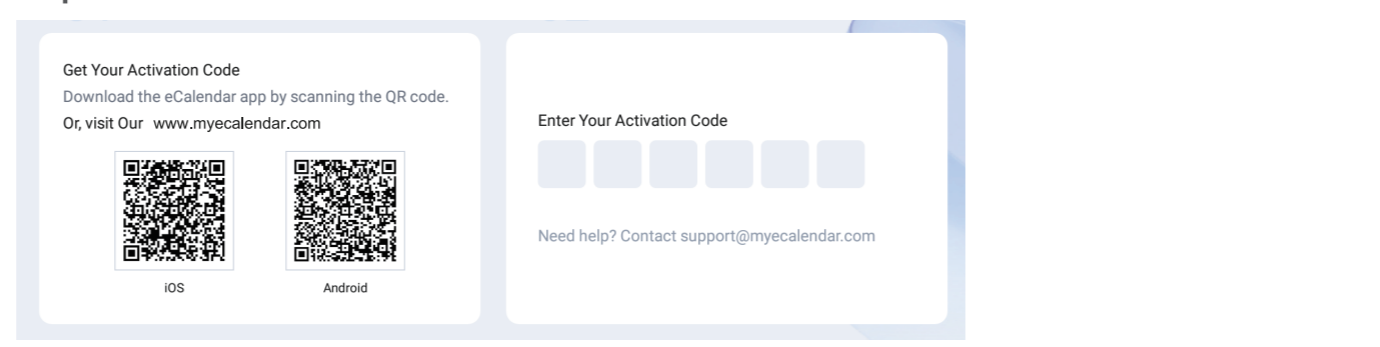
3

Operating Instructions

2.Create an App Account Fill in all the required information.



Step4: Enter Your Activation Code on the calendar frame to start



4

Warranty


The product is covered by a 12-month limited warranty from the date of purchase. Please note this warranty becomes void if:

1. The factory-supplied serial number has been removed or altered
2. The "warranty void" sticker is tampered with or damaged

This warranty does not cover:

1. Cosmetic damage or damage resulting from external factors.
2. Damage caused by improper operation, maintenance, or connection to incompatible equipment
3. Unauthorized modifications or repairs performed by third parties.

Contact Us
We're here to help! Contact us anytime with your questions or needs - our support team is always ready to assist.
Email: support@agilespacetime.com



Scan the QR Code to download the detailed user manual.